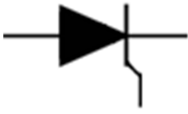



PHASE CONTROL THYRISTOR T173-6300

<ul style="list-style-type: none"> ◆ $V_{DRM} = \underline{200 - 400 V}$ ◆ $V_{RRM} = \underline{200 - 400 V}$ ◆ $I_{T(AV)} = \underline{6540 A}$ ($T_C = 70\text{ °C}$) ◆ $I_{T(AV)} = \underline{5630 A}$ ($T_C = 85\text{ °C}$) ◆ $I_{TSM} = \underline{70 kA}$ ($T_j = 150\text{ °C}$) 		
<ul style="list-style-type: none"> ◆ Amplifying gate ◆ Low on-state switching losses ◆ Acceptable for series and parallel connections ◆ Low dispersion Q_{rr}, V_{TM} 		

MAXIMUM RATED VALUES

Parameter and conditions	Symbol	Values	Units
Repetitive peak off-state voltage, $T_j = -60 \dots +150\text{ °C}$	V_{DRM}	200 - 400	V
Repetitive peak reverse voltage, $T_j = -60 \dots +150\text{ °C}$	V_{RRM}	200 - 400	
Non-repetitive peak off-state voltage, $T_j = -60 \dots +150\text{ °C}$	V_{DSM}	300 - 500	
Non-repetitive peak reverse voltage, $T_j = -60 \dots +150\text{ °C}$	V_{RSM}	300 - 500	
Repetitive peak off-state current/ Repetitive peak reverse current, $T_j = 150\text{ °C}$, $V_D / V_R = V_{DRM} / V_{RRM}$	I_{DRM} / I_{RRM}	200	mA
Average on-state current, $f = 50\text{ Hz}$, double side cooling, $T_C = 85\text{ °C}$ $T_C = 70\text{ °C}$	$I_{T(AV)}$	5630 6540	A
RMS on-state current, $T_C = 70\text{ °C}$, $f = 50\text{ Hz}$	I_{TRMS}	10274	A
Surge non-repetitive on-state current, $T_j = 150\text{ °C}$, $V_R = 0$, $t_p = 10\text{ ms}$	I_{TSM}	70	kA
Safety factor	I^2t	$2.4 \cdot 10^7$	A^2s
Critical rate of rise of on-state current, $T_j = 150\text{ °C}$, $V_D = 0.67V_{DRM}$, $I_T = 12600\text{ A}$, $I_{FG} = 2\text{ A}$, $t_r = 1\text{ }\mu s$, $f = 50\text{ Hz}$	$(di_T/dt)_{crit}$	200	$A/\mu s$
Critical rate of rise of off-state voltage, $T_j = 150\text{ °C}$, $V_D = 0.67V_{DRM}$	$(dv_D/dt)_{crit}$	1000	$V/\mu s$
Gate power loss, DC	P_{GM}	4	W
Operation junction temperature range	T_j	-60... +150	°C
Storage temperature range	T_{stg}	-60... +50	

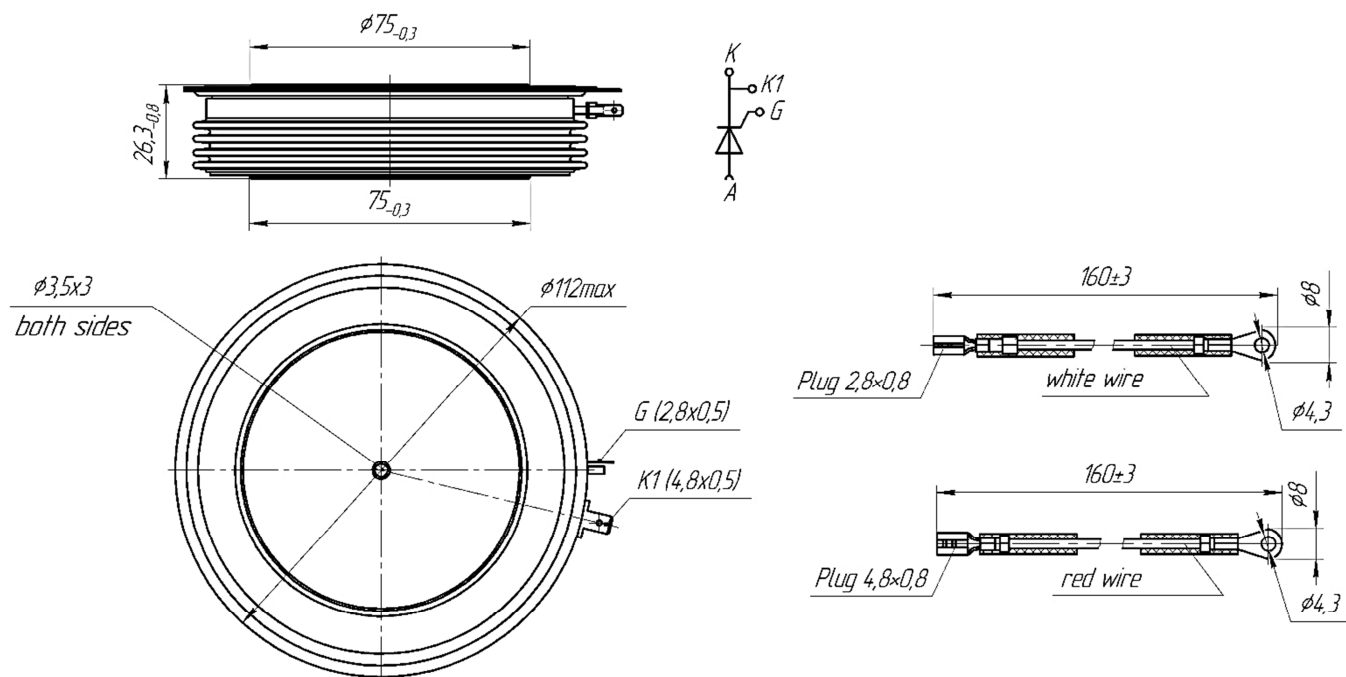


T173-6300

ELECTRICAL CHARACTERISTICS					
Parameter and conditions	Symbol	Values			Units
		min	typ.	max	
Peak on-state voltage, $T_j = 25\text{ }^\circ\text{C}$, $I_T = 19780\text{ A}$	V_{TM}	-	-	1.50	V
On-state threshold voltage, $T_j = 150\text{ }^\circ\text{C}$, $I_T = 9890 - 29700\text{ A}$	$V_{T(TO)}$	-	-	0.77	
On-state slope resistance, $T_j = 150\text{ }^\circ\text{C}$, $I_T = 9890 - 29700\text{ A}$	r_T	-	-	0.032	mΩ
Delay time, $T_j = 25\text{ }^\circ\text{C}$, $V_D = 0.50V_{DRM}$, $I_T = 6300\text{ A}$, $I_{FG} = 2\text{ A}$, $t_r = 0.5\text{ }\mu\text{s}$	t_d	-	-	3.5	μs
Turn off-time, $T_j = 150\text{ }^\circ\text{C}$, $I_T = 6300\text{ A}$, $di_T/dt = -5\text{ A}/\mu\text{s}$, $V_R \geq 100\text{ V}$, $V_D = 0.67V_{DRM}$, $dv_D/dt = 50\text{ V}/\mu\text{s}$	t_q	-	160	-	
Reverse recovery charge, $T_j = 150\text{ }^\circ\text{C}$, $I_T = 6300\text{ A}$, $di_T/dt = -5\text{ A}/\mu\text{s}$, $V_R \geq 100\text{ V}$	Q_{RR}	-	-	1500	μAs
Holding current, $T_j = 25\text{ }^\circ\text{C}$, $V_D = 12\text{ V}$	I_H	-	-	300	mA
Latching current, $T_j = 25\text{ }^\circ\text{C}$, $V_D = 12\text{ V}$, $I_{FG} = 2\text{ A}$, $t_r = 0.5\text{ }\mu\text{s}$	I_L	-	-	1500	
Gate trigger voltage, $V_D = 12\text{ V}$, $T_j = -60\text{ }^\circ\text{C}$ $T_j = 25\text{ }^\circ\text{C}$ $T_j = 150\text{ }^\circ\text{C}$	V_{GT}	-	-	3.5 2.5 2.0	V
Gate trigger current, $V_D = 12\text{ V}$, $T_j = -60\text{ }^\circ\text{C}$ $T_j = 25\text{ }^\circ\text{C}$ $T_j = 150\text{ }^\circ\text{C}$	I_{GT}	-	-	450 250 200	mA
Gate non-trigger direct voltage, $T_j = 150\text{ }^\circ\text{C}$, $V_D = 0.67V_{DRM}$	V_{GD}	0.25	-	-	V
Gate non-trigger direct current, $T_j = 150\text{ }^\circ\text{C}$, $V_D = 0.67V_{DRM}$	I_{GD}	15	-	-	mA
THERMAL PARAMETERS					
Thermal junction to case resistance, DC: double side cooled DC: anode side cooled DC: cathode side cooled	$R_{th(j-c)}$ $R_{th(j-cA)}$ $R_{th(j-cK)}$	-	-	0.0095 0.0190 0.0190	°C/W
Thermal case to heatsink resistance, double side cooled single side cooled	$R_{th(c-h)}$	-	-	0.003 0.006	
MECHANICAL PARAMETERS					
Weight	w	-	1.2	-	kg
Clamping force	F	40	-	60	kN
Maximum acceleration (at nominal mounting force)	a	-	-	100	m/s ²
Minimal gate-anode distance on insulator surface	D_s	-	41.3	-	mm



T173-6300



Device Outline Drawing
(dimensions in mm)



126, Proletarskaya str.,
430001, Saransk, Republic Mordovia, Russia
Tel: +7(8342) 47-04-30
Tel/Fax: +7 (8342) 47-15-01
E-mail: vpruvs@elvpr.ru
Internet: www.elvpr.ru