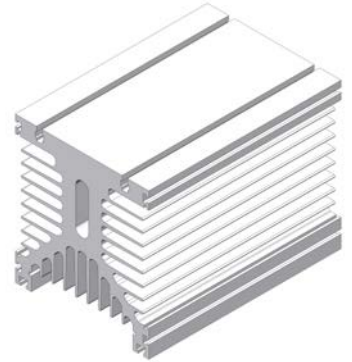


HEATSINK O55

FEATURES

- ◆ Design optimized for natural and forced air cooling
- ◆ Aluminum corrosion-resistant alloy
- ◆ Optimum ratio efficiency / volume
- ◆ Preparation for installation (threaded holes, etc.) and sizes of a heatsink according to individual technical requirements



APPLICATIONS

- ◆ Air cooling of power modules with insulated base

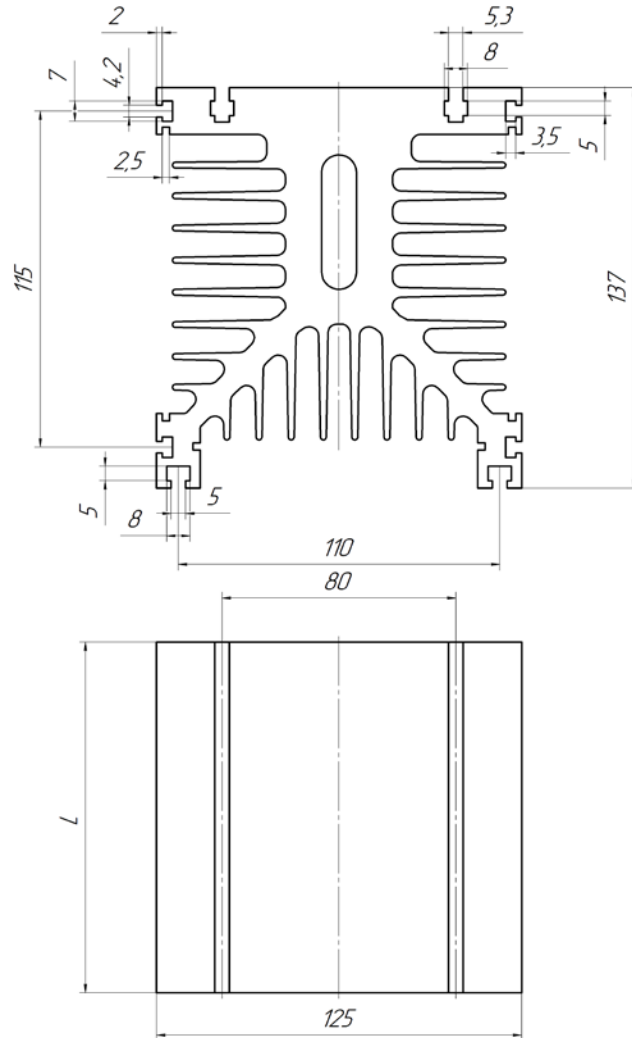
MAXIMUM RATED VALUES

Type	Overall dimensions	Contact surface of the module	Number of modules on the heatsink	R _{thha} (P _F)		Δp _h , V=6 m/s	w
				Cooling			
				natural	forced V=6 m/s		
mm	mm	n	°C/W (W)	°C/W	Pa	kg	
O55/120	125x120x137	20x92	1	0,536 (140)	0,110	17	2,3
			2	0,508 (140)	0,097		
			3	0,504 (140)	0,093		
O55/180	125x180x137	34x92	1	0,455 (160)	0,142	20	3,5
			2	0,423 (160)	0,106		
			3	0,407 (160)	0,093		
O55/265	125x265x137	50x92	1	0,338 (230)	0,091	25	5,2
			2	0,305 (230)	0,065		
			3	0,292 (260)	0,063		



HEATSINK O55

OVERALL AND INSTALLATION DIMENSIONS



L- length

PJSC «ELECTROVIPRYAMITEL» reserves the right to change specification without notice.



Russia, Mordovia, Saransk,
430001, Proletarskaya str., 126
Tel: +7(8342) 47-04-30
Tel/Fax: +7 (8342) 47-15-01
E-mail: vpruvs@elvpr.ru
Internet: www.elvpr.ru