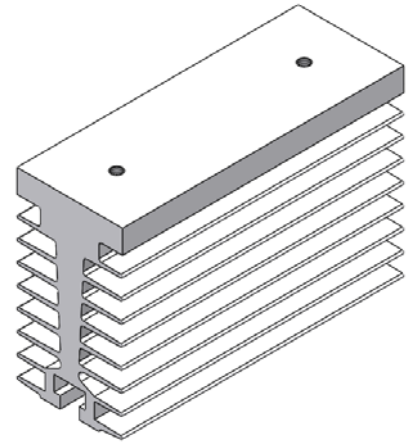


HEATSINK O24

FEATURES

- ◆ Design optimized for natural and forced air cooling
- ◆ Aluminum corrosion-resistant alloy
- ◆ Easy installation with mounting slot
- ◆ Ready-made holes for mounting modules
- ◆ Possible delivery according to individual technical requirements



APPLICATIONS

- ◆ Cooling of modules in cases MTD1

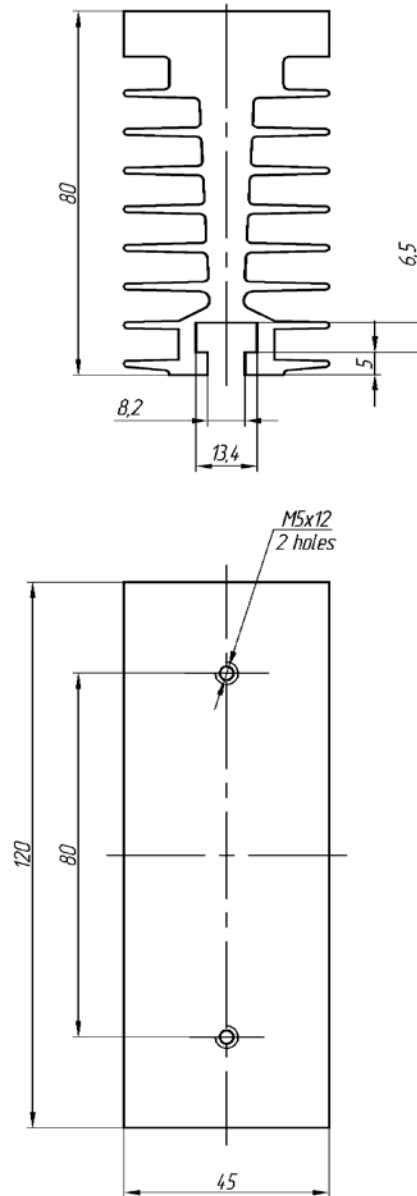
MAXIMUM RATED VALUES

Parameter	Symbol	Value	Unit
Thermal resistance (natural cooling, power dissipation 25 W)	R _{thha}	≤ 2,10	°C/W
Thermal resistance (forced cooling, 6 m/s)		≤ 0,48	
Pressure differential (forced cooling, 6 m/s)	Δp _h	25	Pa
Weight	w	0,59	kg



HEATSINK O24

OVERALL AND INSTALLATION DIMENSIONS



PJSC «ELECTROVIPRYAMITEL» reserves the right to change specification without notice.



Russia, Mordovia, Saransk,
430001, Proletarskaya str., 126
Tel: +7(8342) 47-04-30
Tel/Fax: +7 (8342) 47-15-01
E-mail: vpruvs@elvpr.ru
Internet: www.elvpr.ru