



## PRESS - PACK RECTIFIER DIODE D153-2000

<ul style="list-style-type: none"> <li>◆ <math>V_{RRM} = \underline{2400-3200\text{ V}}</math></li> <li>◆ <math>I_{F(AV)} = \underline{2830\text{ A}}</math> (<math>T_C = 85^\circ\text{C}</math>)</li> <li>◆ <math>I_{FSM} = \underline{33\text{ kA}}</math> (<math>t_p = 10\text{ms}</math>)</li> </ul>		
<ul style="list-style-type: none"> <li>◆ Low forward losses</li> <li>◆ Low dispersion <math>Q_{RR}</math> and <math>V_{FM}</math> for series and parallel connections</li> <li>◆ Press-pack design</li> </ul>		

### MAXIMUM RATED VALUES

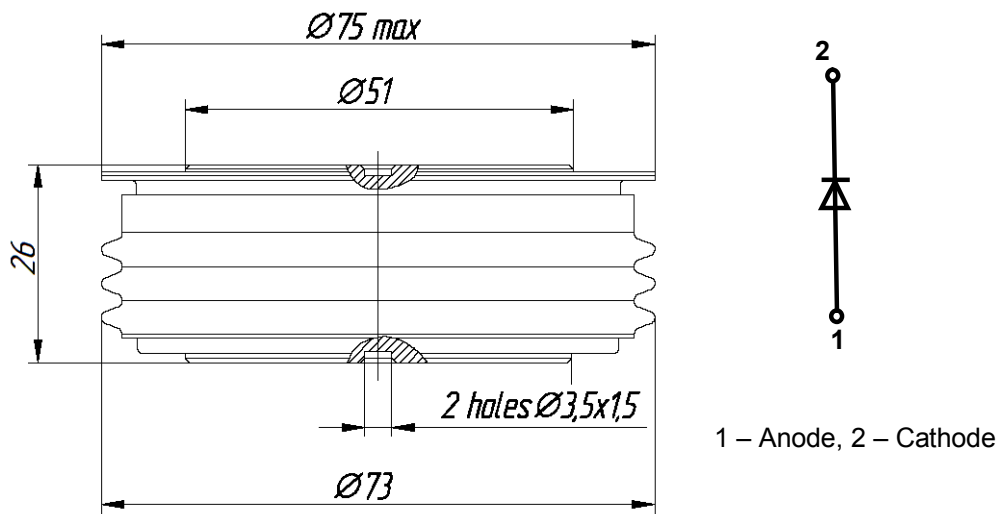
Parameter and conditions	Symbol	Values	Units
Repetitive peak reverse voltage, $T_j = -60 \dots +175\text{ }^\circ\text{C}$	$V_{RRM}$	2400-3200	V
Non- repetitive peak reverse voltage, $T_j = -60 \dots +175\text{ }^\circ\text{C}$	$V_{RSM}$	2500-3300	
Repetitive peak reverse current, $T_j = 175\text{ }^\circ\text{C}$ , $V_R = V_{RRM}$	$I_{RRM}$	100	mA
Maximum average forward current, $T_C = 85\text{ }^\circ\text{C}$ , $f = 50\text{ Hz}$	$I_{F(AV)}$	2830	A
RMS forward current, $T_C = 85\text{ }^\circ\text{C}$ , $f = 50\text{ Hz}$	$I_{FRMS}$	4440	
Surge non-repetitive current, $T_j = 175\text{ }^\circ\text{C}$ , $V_R = 0$ , $t_p = 10\text{ ms}$	$I_{FSM}$	33	kA
Safety factor	$I^2t$	$5445 \cdot 10^3$	$\text{A}^2\text{s}$
Operation junction temperature range	$T_j$	$-60 \dots +175$	$^\circ\text{C}$
Storage temperature range	$T_{stg}$	$-60 \dots +50$	

**D153-2000**

<b>ELECTRICAL CHARACTERISTICS</b>					
Parameter and conditions	Symbol	Values			Units
		min	typ.	max	
Maximum peak forward voltage, $T_j = 25\text{ °C}$ , $I_F = 6280\text{ A}$	$V_{FM}$	-	-	1,55	V
On-state threshold voltage, $T_j = 175\text{ °C}$ , $I_F = 3100 - 9400\text{ A}$	$V_{TO}$	-	-	0,85	
On-state slope resistance, $T_j = 175\text{ °C}$ , $I_F = 3100 - 9400\text{ A}$	$r_T$	-	-	0,130	mΩ
Recovery charge, $T_j = 175\text{ °C}$ , $I_F = 2000\text{ A}$ , $di_F/dt = -5\text{ A}/\mu\text{s}$ , $V_R \geq 100\text{ V}$	$Q_{RR}$	-	-	-	μAs
Recovery current, $T_j = 175\text{ °C}$ , $I_F = 2000\text{ A}$ , $di_F/dt = -5\text{ A}/\mu\text{s}$ , $V_R \geq 100\text{ V}$	$I_{RR}$				A
<b>THERMAL PARAMETERS</b>					
Thermal resistance junction to case, DC per diode double side cooled anode side cooled cathode side cooled	$R_{th(j-c)}$	-	-	0,018 0,036 0,036	°C/W
Thermal resistance case to heatsink, double side cooled single side cooled	$R_{th(c-h)}$	-	-	0,005 0,010	
<b>MECHANICAL PARAMETERS</b>					
Weight	w	-	0,55	-	kg
Clamping force	F	24	-	28	kN
Maximum acceleration (at nominal mounting torque)	a	-	-	100	m/s <sup>2</sup>



## D153-2000



**Fig. 1. Device Outline Drawing**  
(dimensions in mm)



126, Proletarskaya str.,  
430001, Saransk, Republic Mordovia, Russia  
Tel: +7(8342) 47-04-30  
Tel/Fax: +7 (8342) 47-15-01  
E-mail: vpruvs@elvpr.ru  
Internet: www.elvpr.ru