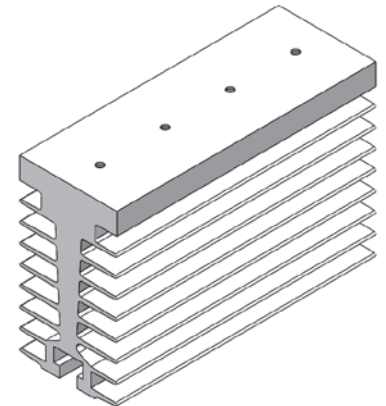




HEATSINK O11

FEATURES

- ◆ Design optimized for natural and forced air cooling
- ◆ Aluminum corrosion-resistant alloy
- ◆ Easy installation with mounting slot
- ◆ Ready-made holes for mounting modules
- ◆ Possible delivery according to individual technical requirements



APPLICATIONS

- ◆ Cooling of one or two modules in cases MPD1, MI1, MI1-1

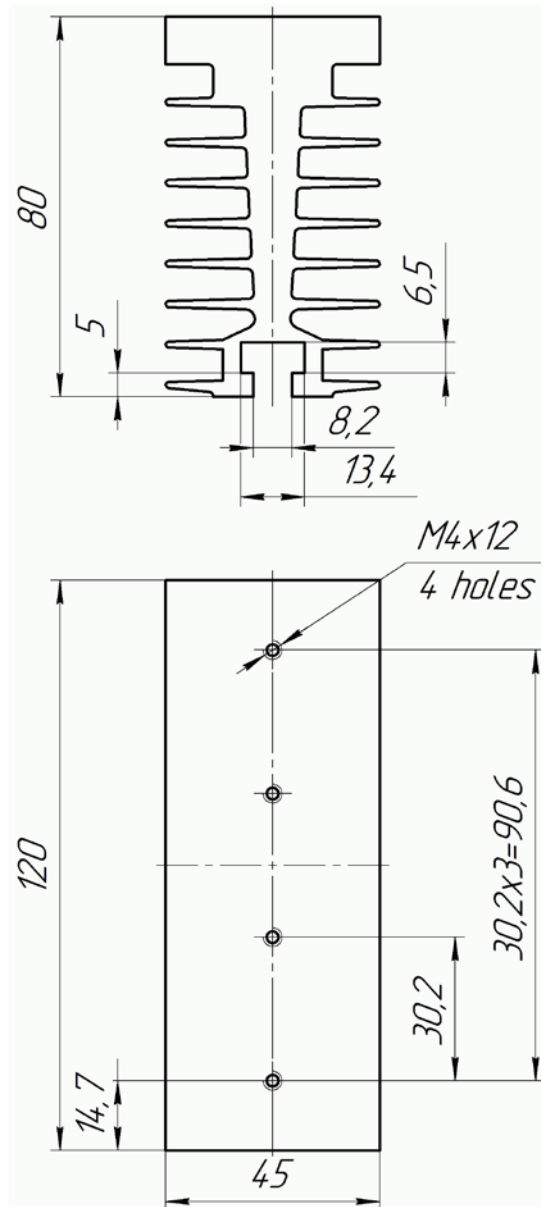
MAXIMUM RATED VALUES

Parameter	Symbol	Value	Unit
Thermal resistance (natural cooling, power dissipation 70 W)	R _{thha}	≤ 1,51	°C/W
Thermal resistance (forced cooling, 6 m/s)		≤ 0,44	
Pressure differential (forced cooling, 6 m/s)	Δp _h	32	Pa
Weight	w	0,6	kg



HEATSINK O11

OVERALL AND INSTALLATION DIMENSIONS



PJSC «ELECTROVIPRYAMITEL» reserves the right to change specification without notice.



Russia, Mordovia, Saransk,
430001, Proletarskaya str., 126
Tel: +7(8342) 47-04-30
Tel/Fax: +7 (8342) 47-15-01
E-mail: vpruvs@elvpr.ru
Internet: www.elvpr.ru