

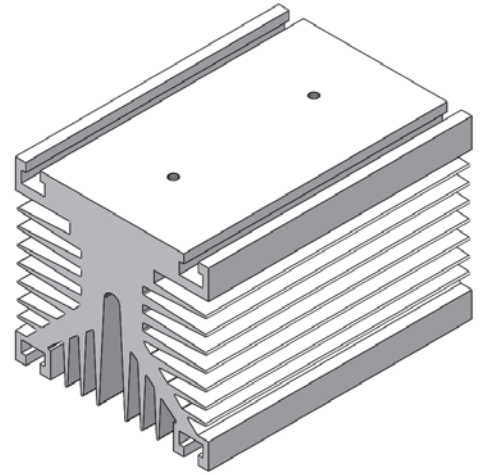
HEATSINK O25

FEATURES

- ◆ Design optimized for natural and forced air cooling
- ◆ Aluminum corrosion-resistant alloy
- ◆ Easy installation with mounting slots
- ◆ Ready-made holes for mounting modules
- ◆ Possible delivery according to individual technical requirements

APPLICATIONS

- ◆ Cooling of modules in cases MTD2 and MI3, MI3-1, MI3-2, MI3-3



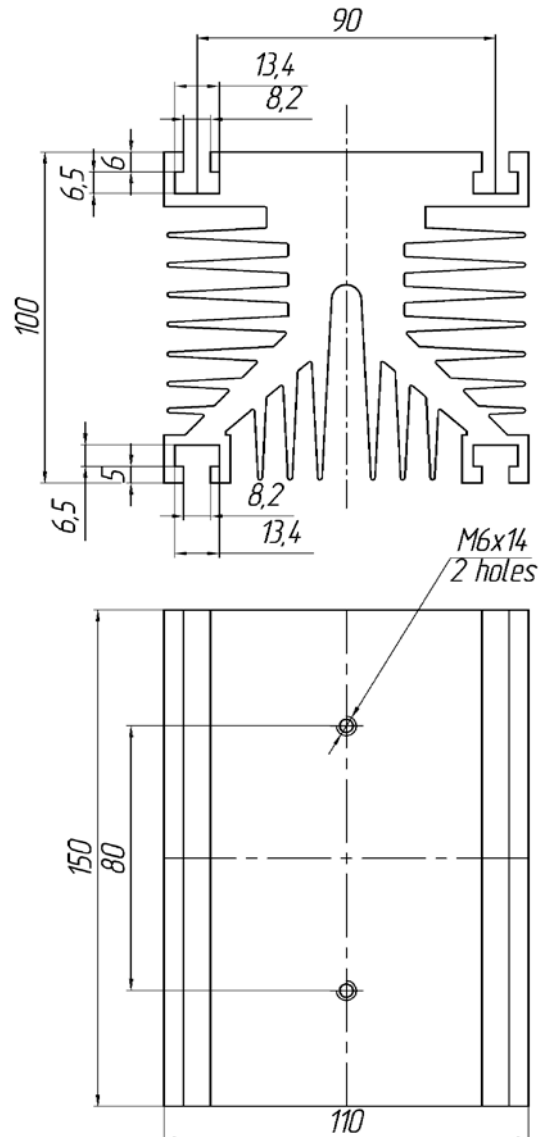
MAXIMUM RATED VALUES

Parameter	Symbol	Value	Unit
Thermal resistance (natural cooling, power dissipation 80 W)	R_{thha}	$\leq 0,75$	$^{\circ}\text{C/W}$
Thermal resistance (forced cooling, 6 m/s)		$\leq 0,21$	
Pressure differential (forced cooling, 6 m/s)	Δp_n	18	Pa
Weight	w	2,17	kg



HEATSINK O25

OVERALL AND INSTALLATION DIMENSIONS



PJSC «ELECTROVIPRYAMITEL» reserves the right to change specification without notice.



Russia, Mordovia, Saransk,
430001, Proletarskaya str., 126
Tel: +7(8342) 47-04-30
Tel/Fax: +7 (8342) 47-15-01
E-mail: vp ruvs@elvpr.ru
Internet: www.elvpr.ru