

DIODE

D212-16, D212-16X

<ul style="list-style-type: none"> ◆ $V_{RRM} = 100 - 1600 \text{ V}$ ◆ $I_{F(AV)} = 16 \text{ A}$ ($T_C = 150 \text{ }^\circ\text{C}$) ◆ $I_{FSM} = 0,27 \text{ kA}$ ($T_j = 190 \text{ }^\circ\text{C}$) 		
<ul style="list-style-type: none"> ◆ Hermetic metal cases with glass insulators ◆ Threaded studs of ISO 		

MAXIMUM RATED VALUES

Parameter and conditions	Symbol	Values	Units
Repetitive peak reverse voltage, $T_j = -60 \dots +190 \text{ }^\circ\text{C}$	V_{RRM}	100-1600	V
Non- repetitive peak reverse voltage, $T_j = -60 \dots +190 \text{ }^\circ\text{C}$	V_{RSM}	200-1700	
Repetitive peak reverse current, $T_j = 190 \text{ }^\circ\text{C}$, $V_R = V_{RRM}$	I_{RRM}	3	mA
Maximum average forward current, $f = 50 \text{ Hz}$, $T_C = 150 \text{ }^\circ\text{C}$	$I_{F(AV)}$	16	A
RMS forward current, $f = 50 \text{ Hz}$, $T_C = 140 \text{ }^\circ\text{C}$	I_{FRMS}	25	
Surge non-repetitive current, $T_j = 190 \text{ }^\circ\text{C}$, $V_R = 0$, $t_p = 10 \text{ ms}$	I_{FSM}	0,27	kA
Safety factor	I^2t	0,36	kA ² s
Operation junction temperature range	T_j	-60 to +190	$^\circ\text{C}$
Storage temperature range	T_{stg}	-60 to +50	$^\circ\text{C}$

ELECTRICAL CHARACTERISTICS

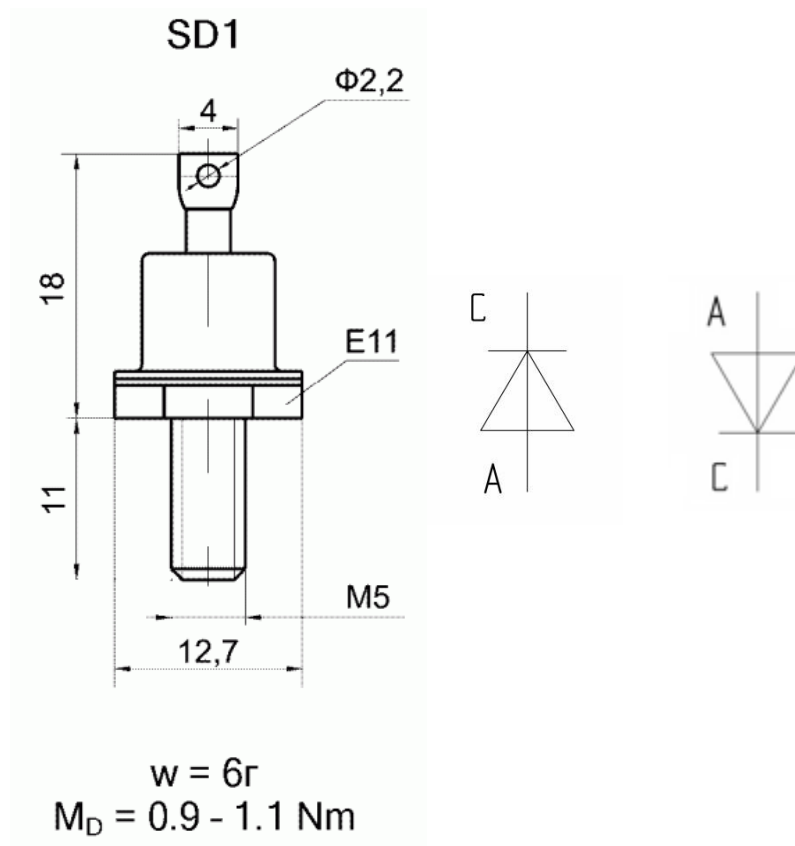
Parameter and conditions	Symbol	Values			Units
		min	typ.	max	
Maximum peak forward voltage, $T_j = 25 \text{ }^\circ\text{C}$, $I_F = 50 \text{ A}$	V_{FM}	-	-	1,35	V
On-state threshold voltage, $T_j = 190 \text{ }^\circ\text{C}$, $I_F = 25 - 75 \text{ A}$	V_{TO}	-	-	0,836	
On-state slope resistance, $T_j = 190 \text{ }^\circ\text{C}$, $I_F = 25 - 75 \text{ A}$	r_T	-	-	11,25	m Ω



D212-16, D212-16X

THERMAL PARAMETERS					
Thermal resistance junction to case	$R_{th(j-c)}$	-	-	1,9	°C/W
Thermal resistance case to heatsink	$R_{th(c-h)}$	-	-	1,0	
MECHANICAL PARAMETERS					
Weight	w	-	0,006	-	kg
Mounting torque	M_d	0,9	-	1,1	Nm

D212-16, D212-16X



C – Cathode, A – Anode

Device Outline Drawing

(dimensions in mm)



126, Proletarskaya str.,
430001, Saransk, Republic Mordovia, Russia
Tel: +7(8342) 47-04-30
Tel/Fax: +7 (8342) 47-15-01
E-mail: vpruvs@elvpr.ru
Internet: www.elvpr.ru Internet: www.elvpr.ru