



## FAST RECTIFIER DIODE DF361-320X

<ul style="list-style-type: none"> <li>◆ <math>V_{RRM} = \underline{600-1400\text{ V}}</math></li> <li>◆ <math>I_{F(AV)} = \underline{320\text{ A}}</math> (<math>T_C = 56^\circ\text{C}</math>)</li> <li>◆ <math>I_{FSM} = \underline{5,3\text{ kA}}</math> (<math>t_p = 10\text{ms}</math>)</li> </ul>		
<ul style="list-style-type: none"> <li>◆ Small recovered time and charge</li> <li>◆ Acceptable for series and parallel connections (low dispersion <math>Q_{rr}</math>, <math>V_{FM}</math>, <math>I_{RRM}</math>)</li> </ul>		

### MAXIMUM RATED VALUES

Parameter and conditions	Symbol	Values	Units
Repetitive peak reverse voltage, $T_j = -60 \dots +140\text{ }^\circ\text{C}$	$V_{RRM}$	600-1400	V
Non- repetitive peak reverse voltage, $T_j = -60 \dots +140\text{ }^\circ\text{C}$	$V_{RSM}$	700-1500	
Repetitive peak reverse current, $T_j = 140\text{ }^\circ\text{C}$ , $V_R = V_{RRM}$	$I_{RRM}$	30	mA
Maximum average forward current, $T_C = 56\text{ }^\circ\text{C}$ , $f = 50\text{ Hz}$	$I_{F(AV)}$	320	A
RMS forward current, $T_C = 56\text{ }^\circ\text{C}$ , $f = 50\text{ Hz}$	$I_{FRMS}$	502	
Surge non-repetitive current, $T_j = 140\text{ }^\circ\text{C}$ , $V_R = 0$ , $t_p = 10\text{ ms}$	$I_{FSM}$	5,3	kA
Safety factor	$I^2t$	$140,45 \cdot 10^3$	$\text{A}^2\text{s}$
Operation junction temperature range	$T_j$	$-60 \dots +140$	$^\circ\text{C}$
Storage temperature range	$T_{stg}$	$-60 \dots +50$	

**DF361-320X**

<b>ELECTRICAL CHARACTERISTICS</b>					
Parameter and conditions	Symbol	Values			Units
		min	typ.	max	
Maximum peak forward voltage, $T_j = 25\text{ }^\circ\text{C}$ , $I_F = 1000\text{ A}$	$V_{FM}$	-	-	2,13	V
On-state threshold voltage, $T_j = 140\text{ }^\circ\text{C}$ , $I_F = 500 - 1500\text{ A}$	$V_{TO}$	-	-	0,80	
On-state slope resistance, $T_j = 140\text{ }^\circ\text{C}$ , $I_F = 500 - 1500\text{ A}$	$r_T$	-	-	1,2	m $\Omega$
Reverse recovery time $T_j = 140\text{ }^\circ\text{C}$ , $I_F = 320\text{ A}$ , $di_F/dt = -50\text{ A}/\mu\text{s}$ , $V_R \geq 100\text{ V}$	$t_{rr}$	-	-	3,2; 4,0; 5,0	$\mu\text{s}$
<b>THERMAL PARAMETERS</b>					
Thermal resistance junction to case, DC per diode double side cooled anode side cooled cathode side cooled	$R_{th(j-c)}$	-	-	0,15 0,30 0,30	$^\circ\text{C}/\text{W}$
Thermal resistance case to heatsink, double side cooled single side cooled	$R_{th(c-h)}$	-	-	0,05 0,10	
<b>MECHANICAL PARAMETERS</b>					
Weight	w	-	0,265	-	kg
Torque	Md	20	-	30	Nm



# DF361-320X

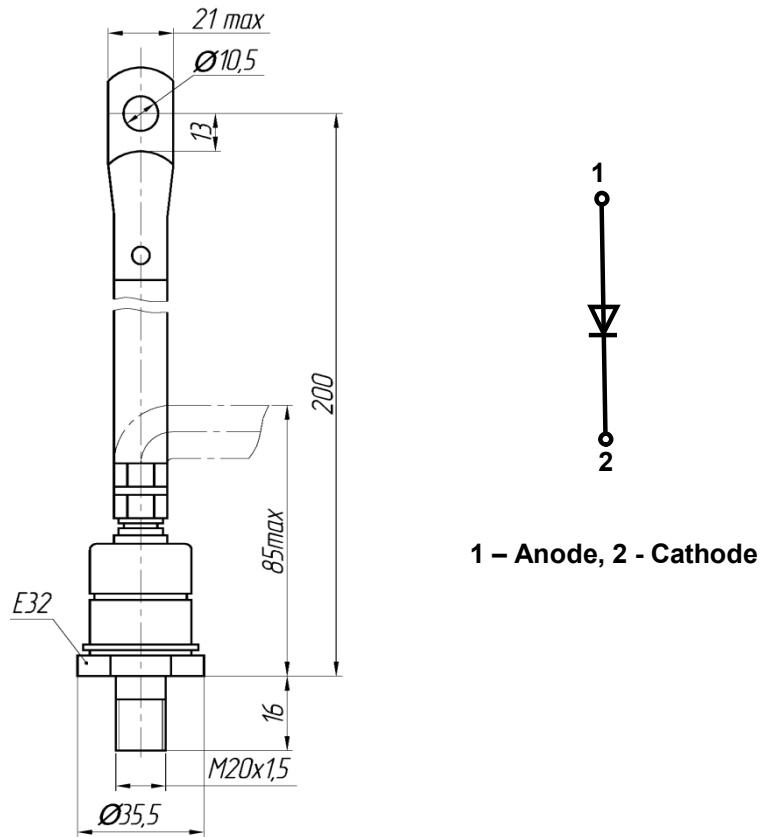


Fig. 1. Device Outline Drawing  
(dimensions in mm)



126, Proletarskaya str.,  
430001, Saransk, Republic Mordovia, Russia  
Tel: +7(8342) 47-04-30  
Tel/Fax: +7 (8342) 47-15-01  
E-mail: vpruvs@elvpr.ru  
Internet: www.elvpr.ru