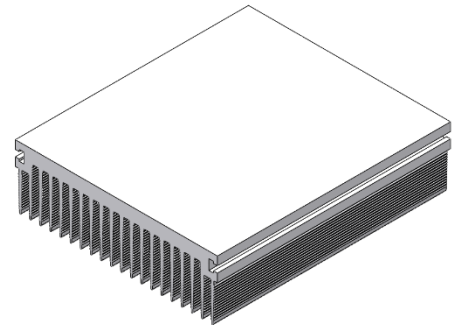




HEATSINK O56

FEATURES

- ◆ Design optimized for natural and forced air cooling
- ◆ Aluminum corrosion-resistant alloy
- ◆ Optimum ratio efficiency / volume
- ◆ Preparation for installation (threaded holes, etc.) and sizes of a heatsink according to individual technical requirements

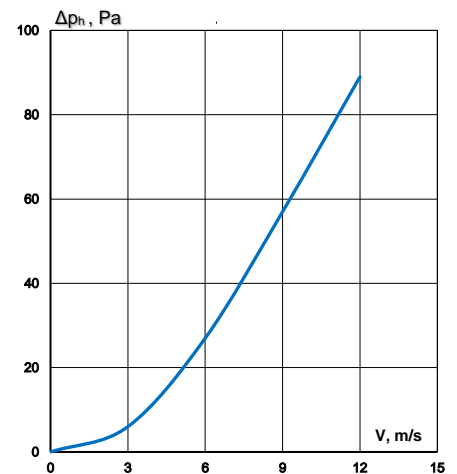
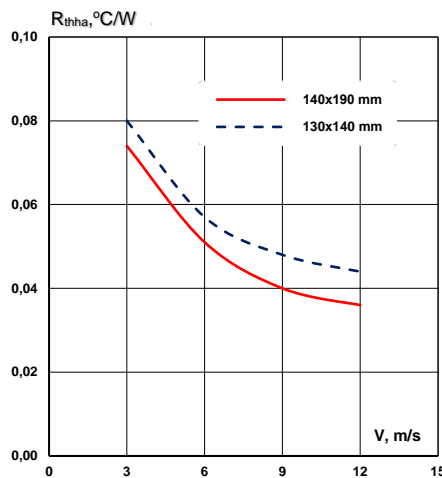
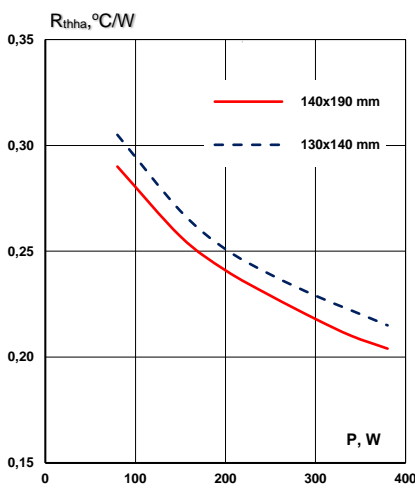


APPLICATIONS

- ◆ Air cooling of power modules with insulated base

MAXIMUM RATED VALUES

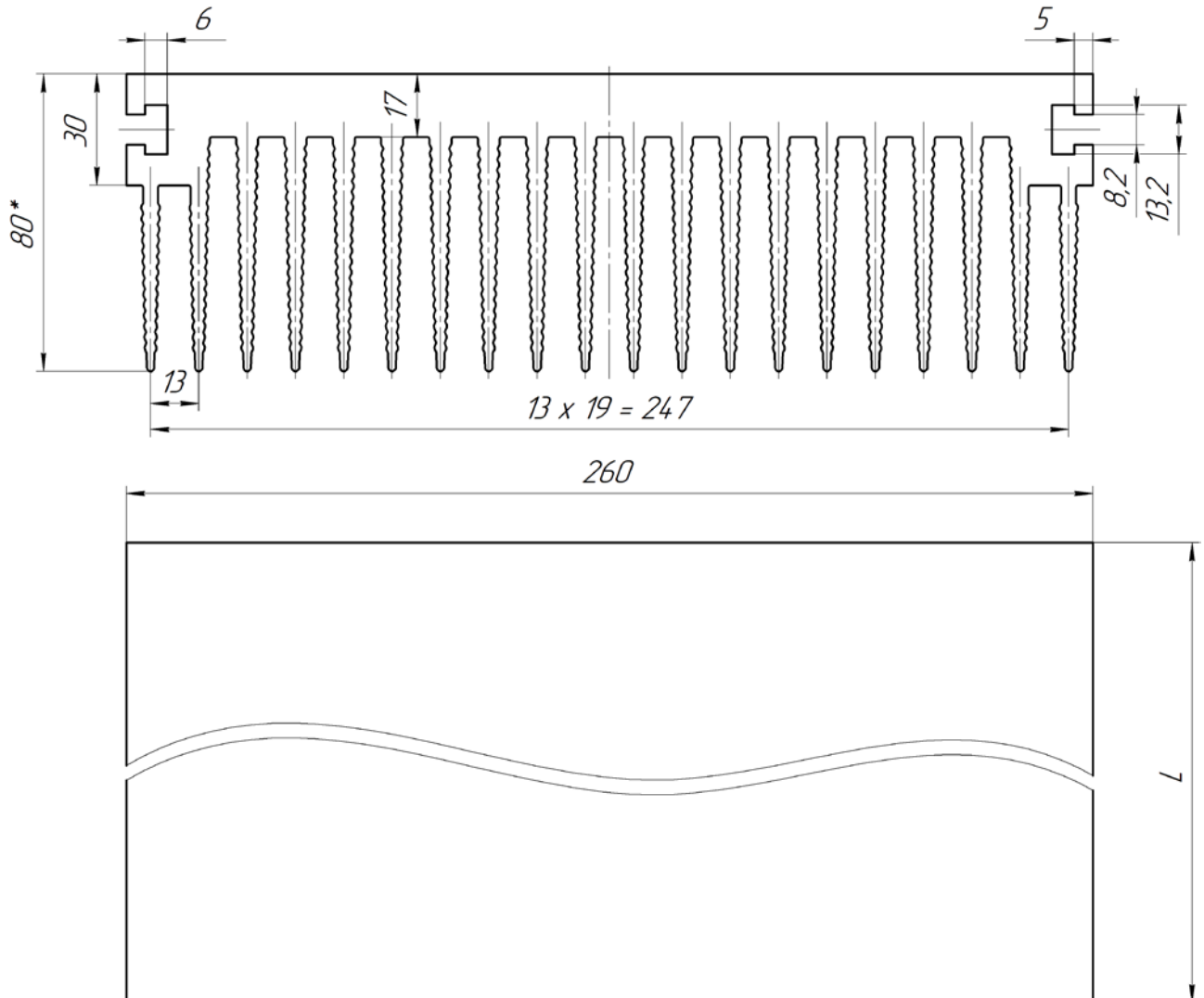
Type	Overall dimensions	Contact surface of the module	Number of modules on the heatsink	$R_{thha} (P_F)$		$\Delta p_h, V=6 \text{ m/s}$	w
				Cooling			
				natural	forced $V=6 \text{ m/s}$	Pa	kg
mm	mm	n	$^{\circ}\text{C/W (W)}$	$^{\circ}\text{C/W}$			
O56/300	260x300x80	130x140	1	0,222 (340)	0,057	27	7,5
		140x190	1	0,21 (340)	0,051		
			2	0,207 (340)	0,043		





HEATSINK O56

OVERALL DIMENSIONS



L – length

PJSC «ELECTROVIPRYAMITEL» reserves the right to change specification without notice.



Russia, Mordovia, Saransk,
430001, Proletarskaya str., 126
Tel: +7(8342) 47-04-30
Tel/Fax: +7 (8342) 47-15-01
E-mail: vpruvs@elvpr.ru
Internet: www.elvpr.ru