

PHASE CONTROL THYRISTOR MODULES

MTT-125

<ul style="list-style-type: none"> ◆ $V_{DRM}/V_{RRM} = \mathbf{400 - 1600 V}$ ◆ $I_{T(AV)} = \mathbf{125 A}$ ($T_C = 85\text{ °C}$) ◆ $I_{TSM} = \mathbf{3,0 kA}$ ($T_j = 125\text{ °C}$) 		
<ul style="list-style-type: none"> ◆ Heat transfer through AlN ceramic isolated metal baseplate ◆ Presspack construction ◆ High reliability at thermal cycles (10^5 at $\Delta T_C = 70\text{ °C}$) ◆ Case width 34 mm 		

MAXIMUM RATED VALUES

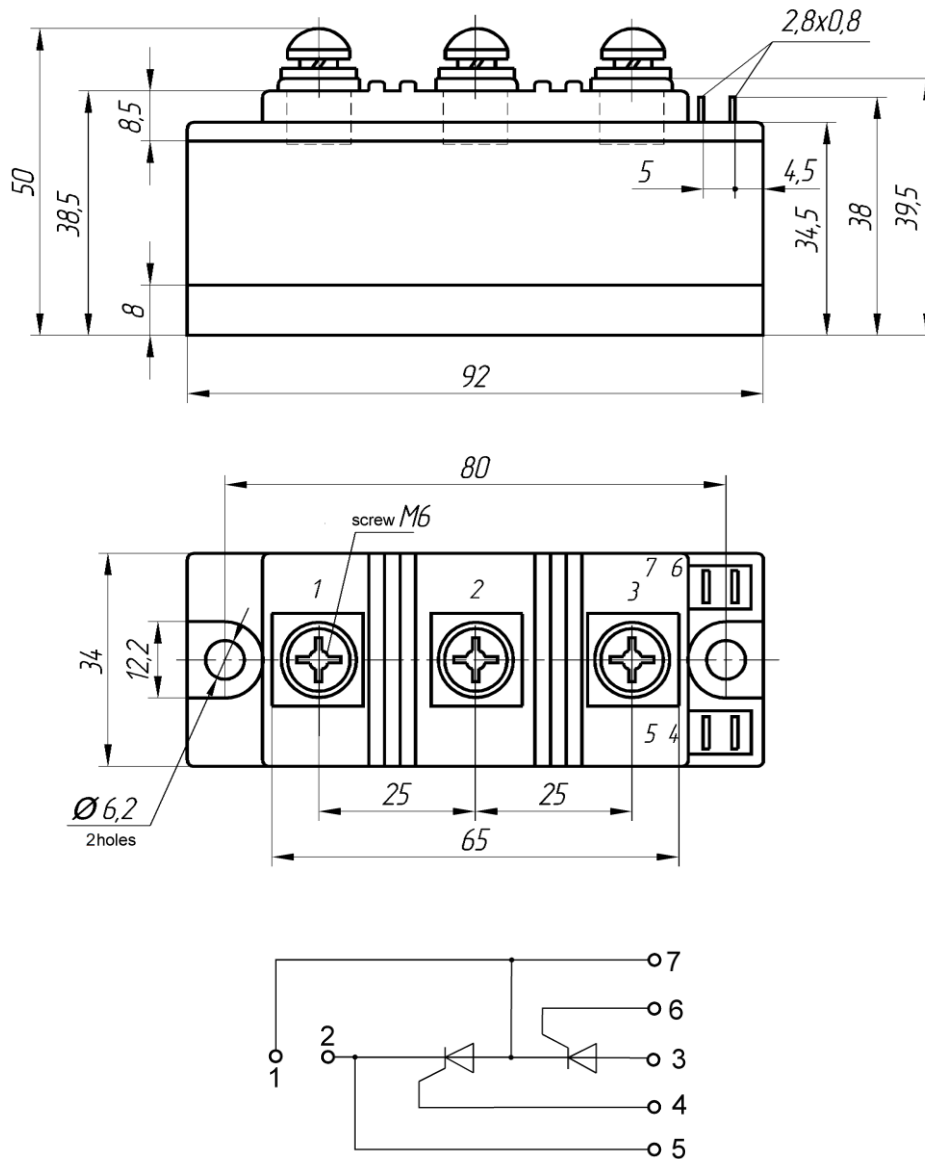
Parameter and conditions	Symbol	Values	Units
Repetitive peak off-state voltage / Repetitive peak reverse voltage, $T_j = -40 \dots +125\text{ °C}$	V_{DRM} / V_{RRM}	400-1600	V
Non-repetitive peak off-state voltage/ Non-repetitive peak reverse voltage, $T_j = -40 \dots +125\text{ °C}$	V_{DSM} / V_{RSM}	500-1700	
Repetitive peak off-state current/ Repetitive peak reverse current, $T_j = 125\text{ °C}, V_D / V_R = V_{DRM} / V_{RRM}$	I_{DRM} / I_{RRM}	25	mA
Maximum average on-state current, $f = 50\text{ Hz},$ $T_C = 85\text{ °C}$	$I_{T(AV)}$	125	A
RMS on-state current, $T_C = 85\text{ °C}$	I_{TRMS}	196	
Surge non-repetitive current, $T_j = 125\text{ °C}, t_p = 10\text{ ms}, V_R = 0$	I_{TSM}	3,0	kA
Safety factor	I^2t	$0,045 \cdot 10^6$	A^2s
Critical rate of rise of on-state current, $T_j = 125\text{ °C}, V_D = 0,67V_{DRM}, I_T = 250\text{ A}, I_{FG} = 1\text{ A},$ $t_r \leq 1\text{ }\mu s, f = 50\text{ Hz}$	$(di_T/dt)_{crit}$	200	$A/\mu s$
Critical rate of rise of off-state voltage $T_j = 125\text{ °C}, V_D = 0,67V_{DRM}$	$(dv_D/dt)_{crit}$	200-1000	$V/\mu s$
Gate power loss, DC	P_{GM}	4	W
Operation junction temperature range	T_j	-40 ... +125	°C
Storage temperature range	T_{stg}	-40 ... +50	

MTT-125

ELECTRICAL CHARACTERISTICS					
Parameter and conditions	Symbol	Values			Units
		min	type	max	
Maximum peak on-state voltage, $T_j = 25\text{ °C}, I_T = 392\text{ A}$	V_{TM}	-	-	1,75	V
On-state threshold voltage, $T_j = 125\text{ °C}, I_T = 200 - 600\text{ A}$	$V_{T(TO)}$	-	-	1,10	
On-state slope resistance, $T_j = 125\text{ °C}, I_T = 200 - 600\text{ A}$	r_T	-	-	1,80	mΩ
Delay time, $T_j = 25\text{ °C}, V_D = 0,67V_{DRM}, I_T = 125\text{ A},$ $I_{FG} = 1\text{ A}, t_r \leq 1\text{ }\mu\text{s}$	t_d	-	-	5,0	μs
Circuit-commutated turn-off time, $T_j = 125\text{ °C}, I_T = 125\text{ A}, di_T/dt = -5\text{ A}/\mu\text{s},$ $V_R \geq 100\text{ V}, V_D = 0,67V_{DRM}, dv_D/dt = 50\text{ V}/\mu\text{s}$	t_q	-	160	-	
Holding current, $T_j = 25\text{ °C}, V_D = 12\text{ V}$	I_H	-	-	250	mA
Gate trigger voltage, $V_D = 12\text{ V}$ $T_j = -40\text{ °C}$ $T_j = 25\text{ °C}$ $T_j = 125\text{ °C}$	V_{GT}	-	-	4,5 2,5 2,0	V
Gate trigger current, $V_D = 12\text{ V}$ $T_j = -40\text{ °C}$ $T_j = 25\text{ °C}$ $T_j = 125\text{ °C}$	I_{GT}	-	-	350 200 150	mA
Gate non-trigger voltage, $T_j = 125\text{ °C}, V_D = 0,67V_{DRM}$	V_{GD}	0,25	-	-	V
Electrical isolated baseplate (RMS), $f = 50\text{ Hz}, t = 1\text{ sec}/1\text{ min}$	V_{isol}	-	-	3000/2500	V
THERMAL PARAMETERS					
Thermal resistance junction to case	$R_{th(j-c)}$	-	-	0,190	°C/W
Thermal resistance case to heatsink	$R_{th(c-h)}$	-	-	0,010	
MECHANICAL PARAMETERS					
Weight	w	-	0,45	-	kg
Heatsink mounting torque	M_s	4	-	6	Nm
Terminal connection torque	M_t	1,5	-	3,5	Nm
Maximum acceleration (at nominal mounting force)	a	-	-	50	m/s ²



MTT-125



1 – Anode/Cathode; 2 – Cathode; 3 – Anode; 4, 6 – Gate; 5, 7 - Auxiliary cathode

Device Outline Drawing

(dimensions in mm)



126, Proletarskaya str.,

430001, Saransk, Republic Mordovia, Russia

Tel: +7(8342) 47-04-30

Tel/Fax: +7 (8342) 47-15-01

E-mail: vpruvs@elvpr.ru

Internet: www.elvpr.ru Internet: www.elvpr.ru